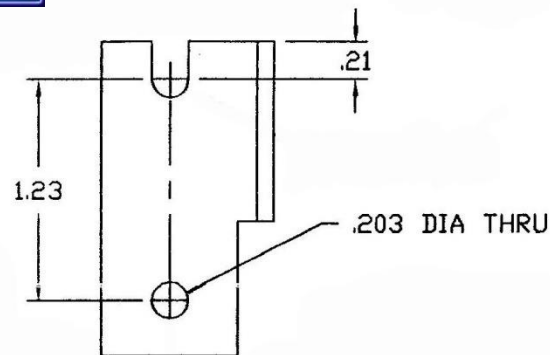


Mounting Bracket for Right Angle
N or TNC/BNC Connectors



Weight: 1 ounce (28g) typical



PART	DIA 'A'	DIM. 'B'	FIG.	MODEL
01	.630	—	2	N
02	.505	—	2	TNC/BNC
03	.630	.536	1	N
04	.505	.479	1	TNC/BNC

NOTES:

1. MATERIAL: .093 THK. BRASS PER QQ-B-360 (1/2 HARD)
2. FINISH: ELECTROLESS NICKEL PER MIL-C-26074, CLASS 1, GRADE A
3. TUMBLE DEBURR
4. BRACKET -01 OR -03 CAN BE CONVERTED TO -02 OR -04 WITH WASHER 503-0136. THIS CONVERSION IS FOR FACTORY ASSEMBLY ONLY.

