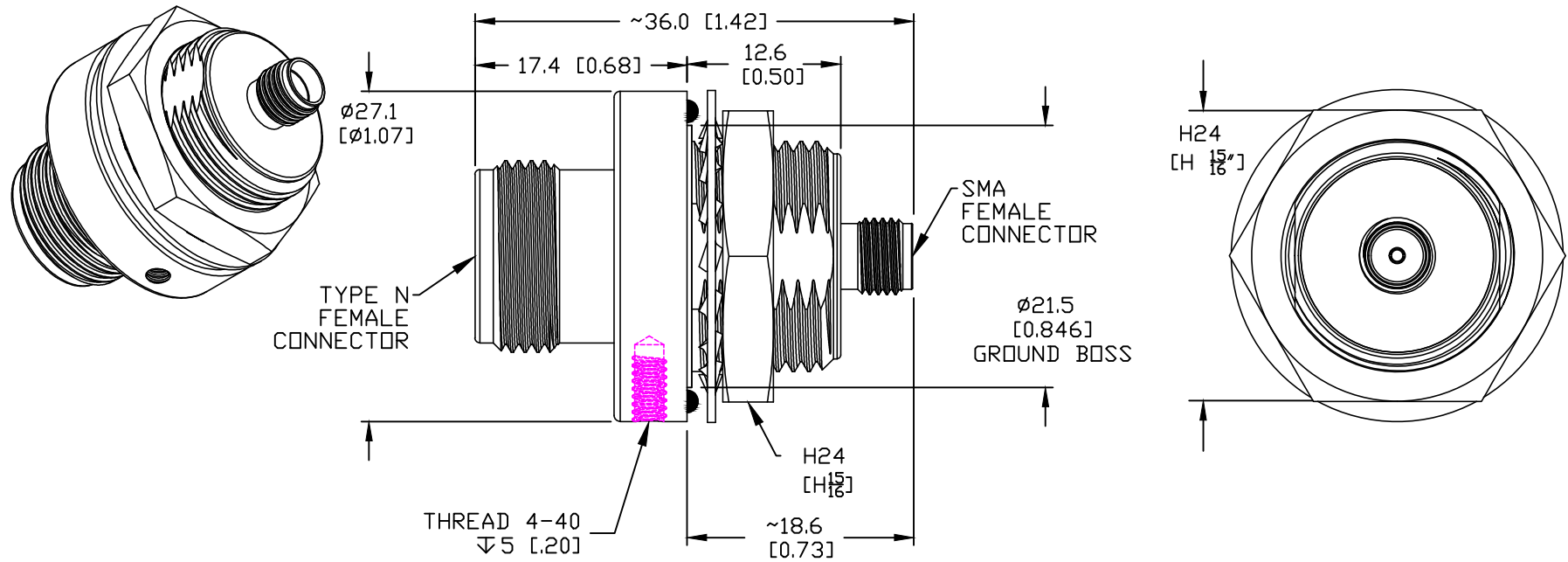


PROPRIETARY THIS DRAWING AND DESIGNS DEPICTED ARE THE PROPERTY OF NexTek Inc. AND MAY NOT BE REPRODUCED, COPIED OR UTILIZED WITHOUT EXPRESS WRITTEN PERMISSION OF NexTek Inc. COPYRIGHT NexTek LLC

REV	ECO	DESCRIPTION	DRAFT	DATE	APPROVED
00	TBD	PROPOSAL	SCP	13 JAN 21	CAP



SPECIFICATIONS

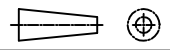
FREQUENCY:	DC to 6 GHz
INSERTION LOSS:	0.15db TYP/ 0.4db MAX
VSWR:	1.25 AVERAGE/1.4 MAX
RF POWER:	30Wcw 60Wpk
WATER AND DUST PROOF:	IEC529 - IP66
TEMP RANGE:	-55°C TO 90°C
WEIGHT:	~85g / ~3.0oz
MOUNT TORQUE	12 N-m / 100 " LBS

NEXTEK P/N:
ADPSFNF-02

PANEL 4 [.16] MAXIMUM
(PANEL THICKNESS REDUCED)

PROTECTOR MATERIALS/FINISHES:
HOUSING, RF CONNECTORS, HEX NUT - BRASS/ NICKEL
LOCKWASHER, SCREW - STAINLESS STEEL
CONTACTS - BeCu / GOLD
GASKET - SILICONE RUBBER

DRAWN: S.PERKINS
RELEASED: G.KAUFFMAN
DATE: 25 APR 18
DATE: 15 JUN 18
THIRD ANGLE PROJECTION



DO NOT SCALE
MACH. SURFACES \checkmark
0.07TIR
DEBURR AND BREAK ALL SHARP EDGES
ACAD 2010 FILE: 785-0275 R00

DEFAULT TOLERANCES
X=±0.4
X.X=±0.2
X.XX=±0.10
X'=±2'
DIMENSIONS IN MILLIMETERS

TITLE 6GHz ADAPTER		
SIZE	DRAWING NO.	REV
A	785-0275	00
SCALE: 2=1	WT ~	SHEET 1 OF 1