

N to TNC (Right Angle) Coaxial Lightning Protector dc – 2.5GHz



Features:

- ✦ Transition from rugged N to more compact TNC connector
- ✦ Multiple Strike Capability
- ✦ 50 kA (8x20) Surge Capability
- ✦ Rugged and water resistant
- ✦ DC pass
- ✦ Bi-directional Protection

RF Specifications

- ✦ Nominal Impedance – 50 Ω

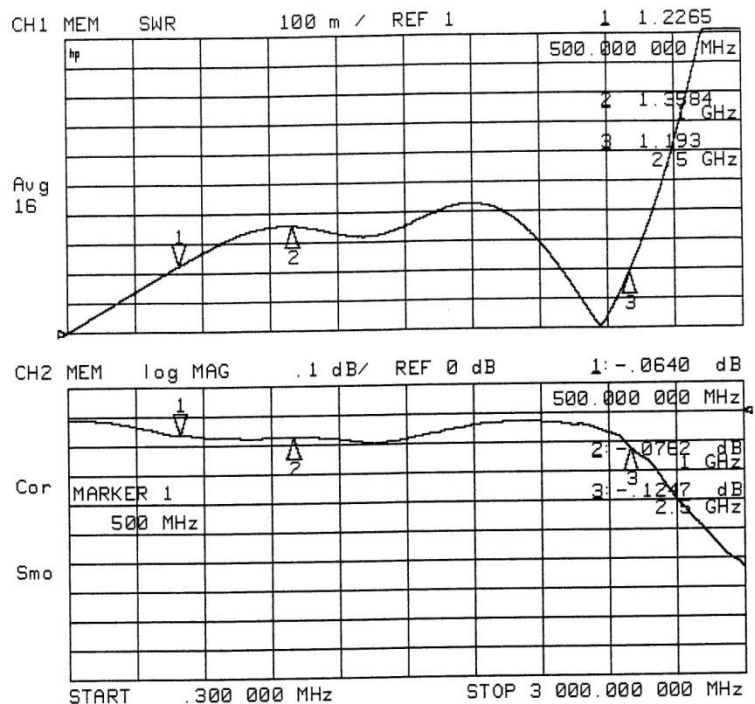
Frequency (GHz)	VSWR	Insertion Loss (dB)
dc – 0.5	1.125 Max	0.10 Max
0.5 – 2.5	1.40 Typ	0.10 Typ

- ✦ Through Current: 65V / 7.5 A Max
- ✦ RF Power: See Protection Voltage table

Transient Specifications

(1.2X50 μ s Voltage / 8X20 μ s Current waveform)

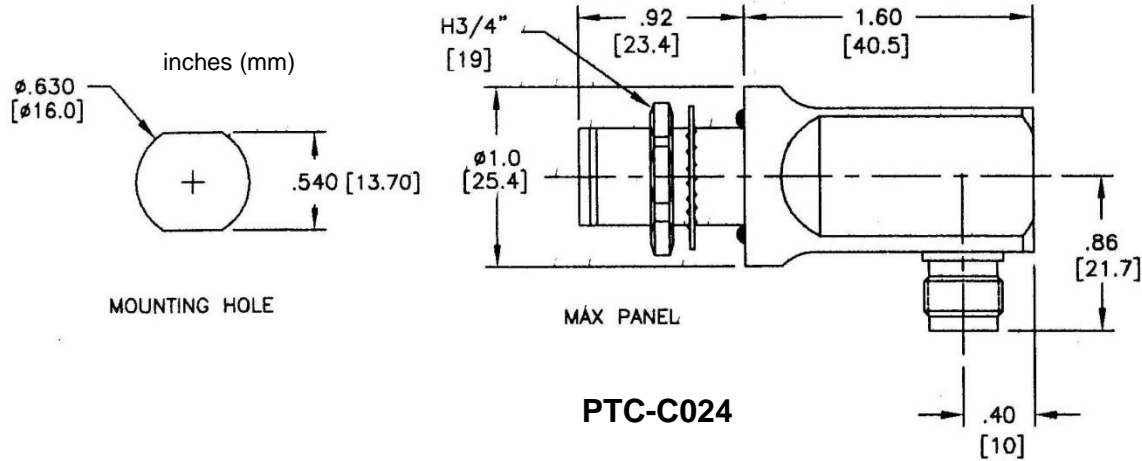
- ✦ Gas Discharge Tube:
See Voltage Protection table
- ✦ Maximum Transient: 50 kA (8x20 μ s)
- ✦ Multiple Strike: 20kA 10 times
- ✦ Let-through: See Voltage Protection table



Typical VSWR and Insertion Loss

Mechanical Specifications

✦ Weight: 0.27 pounds typ/120 g typ



Environmental Specifications

Temperature Range	-40°C to +90°C
Salt Fog	MIL-STD-202 Method 101D / Condition B (35°C/96 hrs)
Immersion	MIL-STD-202 Method 104A / Condition A (65°C to 25°C w/NaCl – 2 cycles)
Moisture Resistance	MIL-STD-202 Method 106E (65 °C/98% RH condensing/240 hrs)
Temperature Shock	MIL-STD-202 Method 107D / Condition B-1 (25 cycles -65°C to +125°C)
Life (Elevated Temperature)	MIL-STD-202 Method 108A / Condition A (96 hours at 100°C)
Dust and Waterproof Rating	IEC529 IP68 (dust-tight and water proof 24 hrs / 1 m)
Vibration	MIL-STD-202 Method 204D / Condition D (10Hz-2kHz 0.06"DA/20g)
Mechanical Shock	MIL-STD-202 Method 213 / Condition A (50g/11ms ~24")

Material and Finish

Component	Material	Finish
Outer Parts	Brass	Nickel
Center Contact	BeCu	Gold
Insulator	PTFE	-
Gasket	Elastomer	-

² for single frequency signal; multiple carrier sum of Vpeak should be less than 60% of Protection Voltage

³ input is 6kV 1.2x50µs / 3 kA 8x20µs

⁴ for voltages greater than 470, please call NexTek

Protection Voltage

Protection Voltage ⁴	Voltage Code	RF Power (W) ²	Let-through (V _{pk} / µJ) ³
90	09	37	600 / 0.3
150	15	95	600 / 0.3
230	23	240	650 / 0.5
350	35	550	800 / 0.7
470	47	550	800 / 0.7
600	60	1600	1500 / 4.4

Part Number

PTC-C024, for 350V unit
other voltages available

Optional bracket
(P/N 780-0088-01)