

# QSS4F4FBJ00

## Quarterwave Shorted-Stub Protectors, 3200-4200 MHz, DC Short, 4.3-10 F-F, Bulkhead Mount Surge Arrestor

### Description:

NexTek's 4.3-10 series of Quarter Wavelength Shorted Stub (QSS) Arrestors provide excellent response and transient handling characteristics with 4.3-10 Female to Female input and output connector interfaces. Bi-Directional in operation this Surge Arrestor provides protection for surges that come with EMP/lightning (LEMP) energy. The 4.3-10 connector and electro/mechanical construction is by design low passive intermodulation (PIM).

### Features:

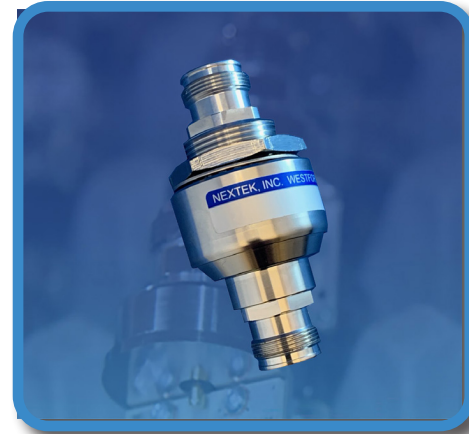
- Female to Female 4.3-10 connectors
- 275W Max Power
- DC Block
- Excellent Insertion and Return Loss
- Bi-Directional
- IP67 Rated Unmated
- Banded Operational Frequency

### Applications:

- Broadband wireless
- Critical communications infrastructure
- Telecom and 4G/5G
- Wi-Fi

### Material and Finish:

Body Material	Brass White Bronze
Connector Finish	Nickel
Center Pin Material	BeCu
Center Pin Finish	White Bronze



### Performance Specifications:

Impedance	50Ω
Frequency	3200 to 4200 MHz
Insertion Loss	≤ 0.20dB
VSWR	≤ 1.2   1
RF Power	275W
Transient 8x20us pulses	In 25kA (10x)   I <sub>max</sub> 30kA (1x)
Let Through (input 4kV/2kA per IEC61000-4-5)	10Vpk / 10uJ

### Environmental Specifications:

Temperature Range	-40°C to +90°C
Salt Fog	35°C 5%NaCl*
Dust/Water Proof	IEC529 IP68*
Moisture Resistance	65°C / 98%RH
Temperature Shock	-65°C to -125°C
Vibration	10Hz-2KHz 0.06"DA/20g
Mechanical Shock	50g/11ms
Immersion	65°C to 25°C
Weight	0.40kg (Typ)
Mounting Torque	50 ft/lbs

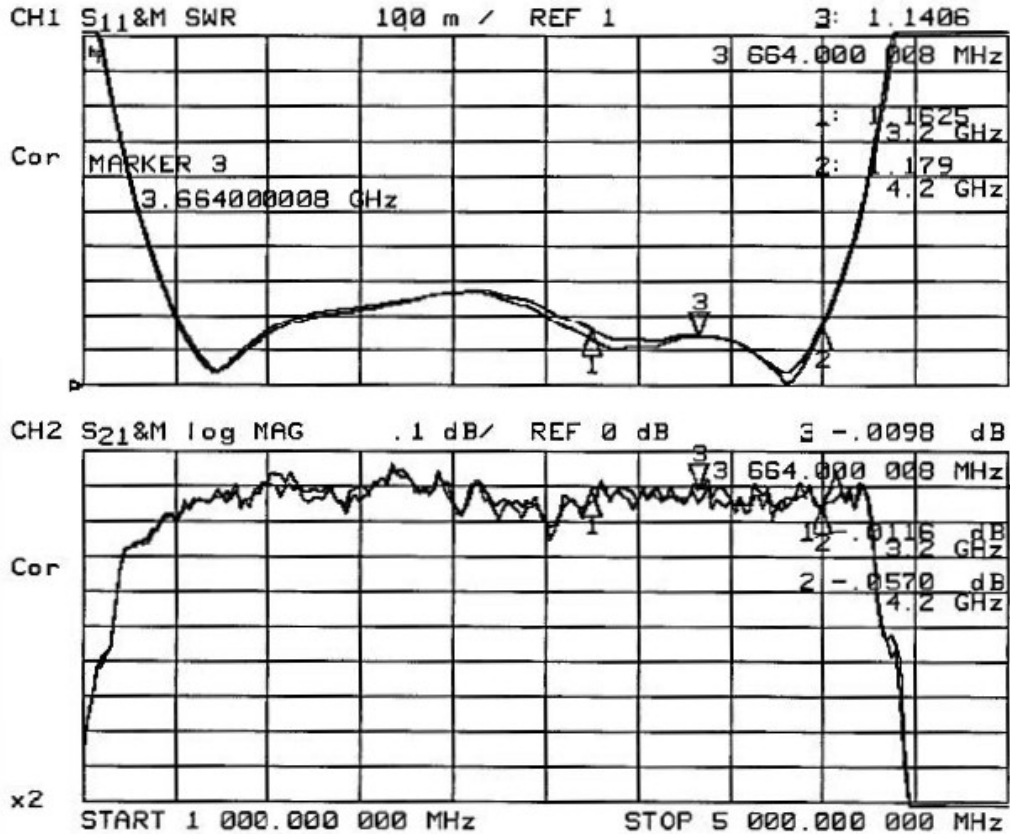
\* When mated with sealed connectors

This specification is for reference only, and is subject to change without notice

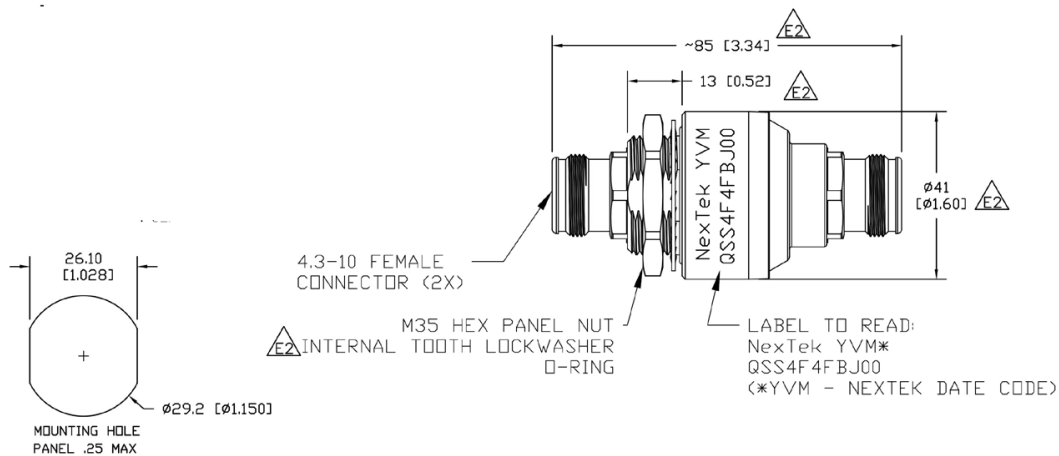
# QSS4F4BJ00

Quarterwave Shorted-Stub Protectors, 3200-4200 MHz,  
DC Short, 4.3-10 F-F, Bulkhead Mount Surge Arrestor

## VSWR & Insertion Loss Graphs:



## Mechanical Drawing:



This specification is for reference only, and is subject to change without notice